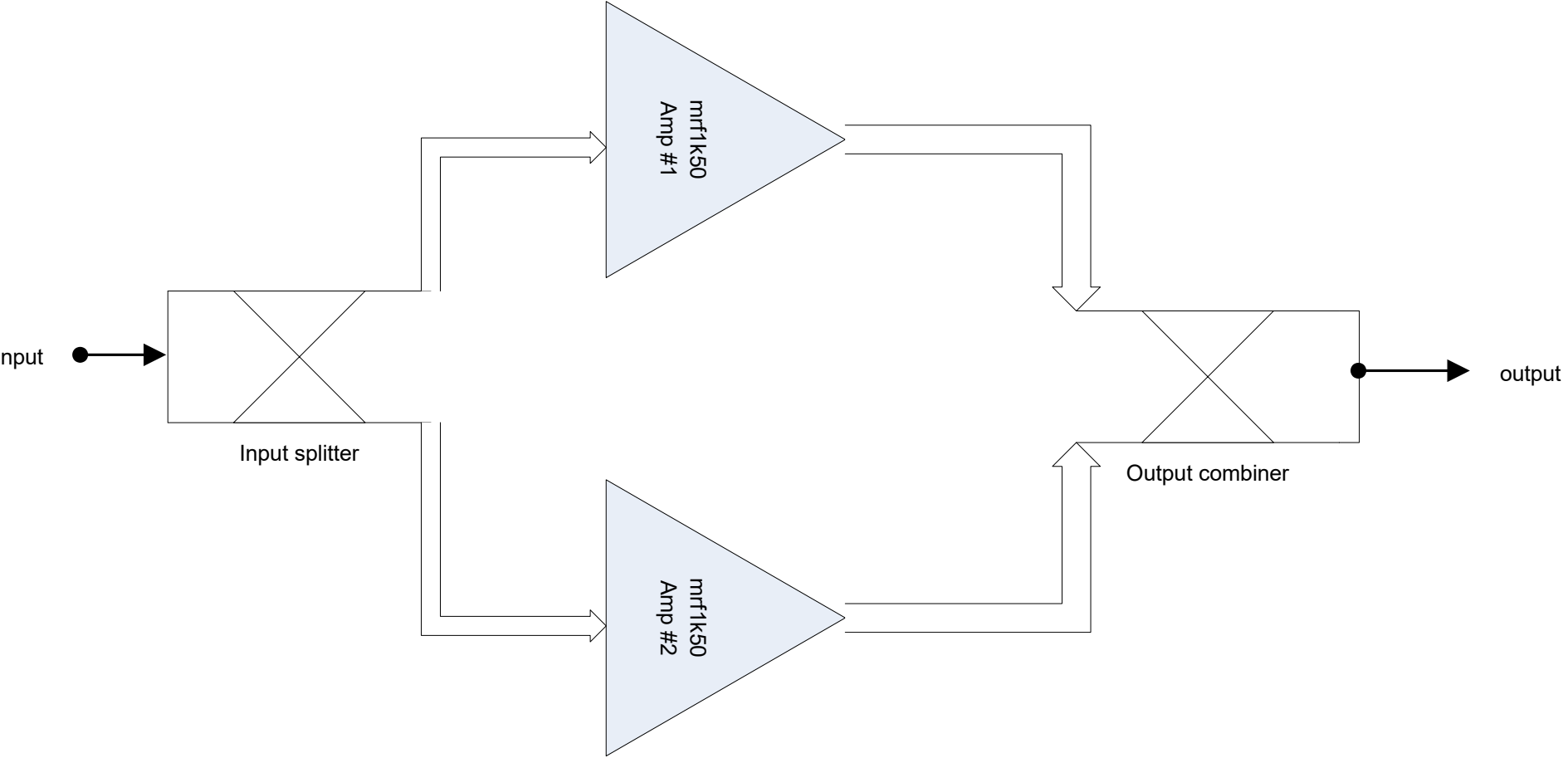
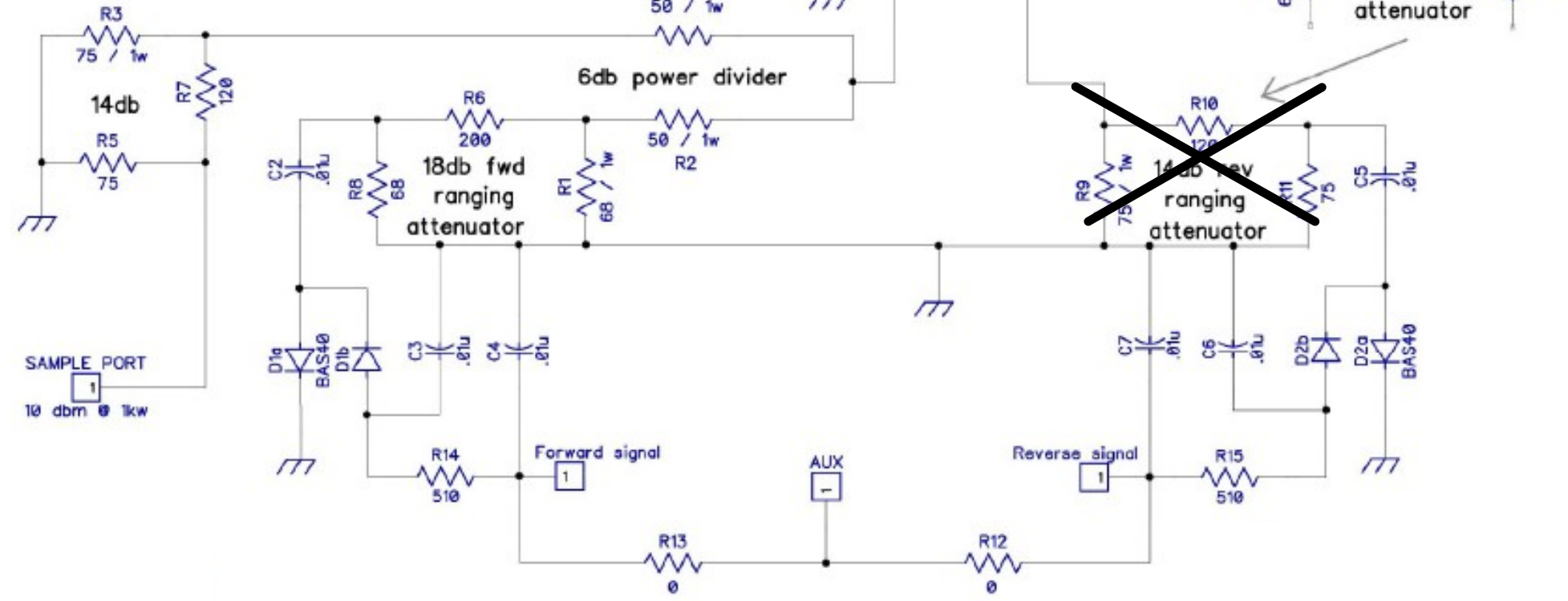


Power supply AC line (remote AC switch)

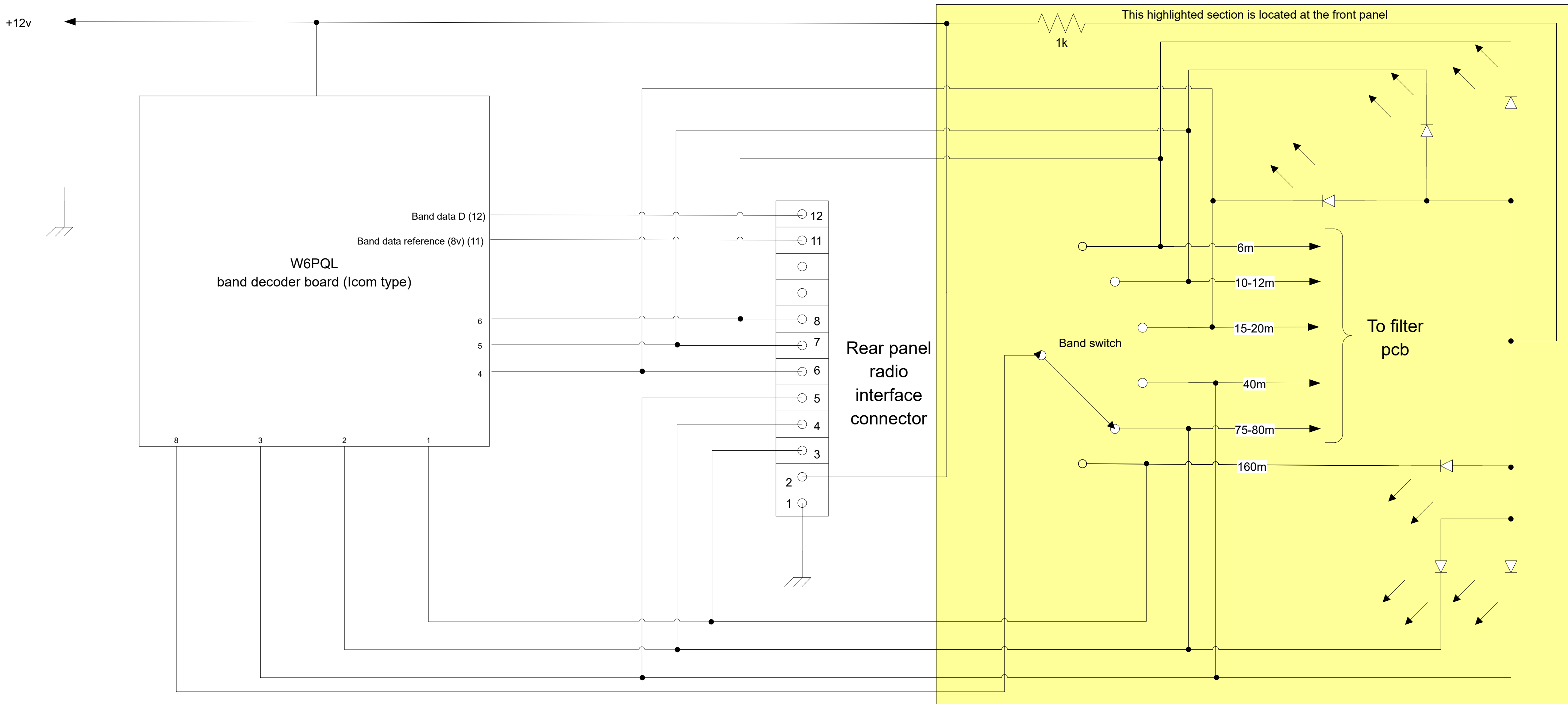


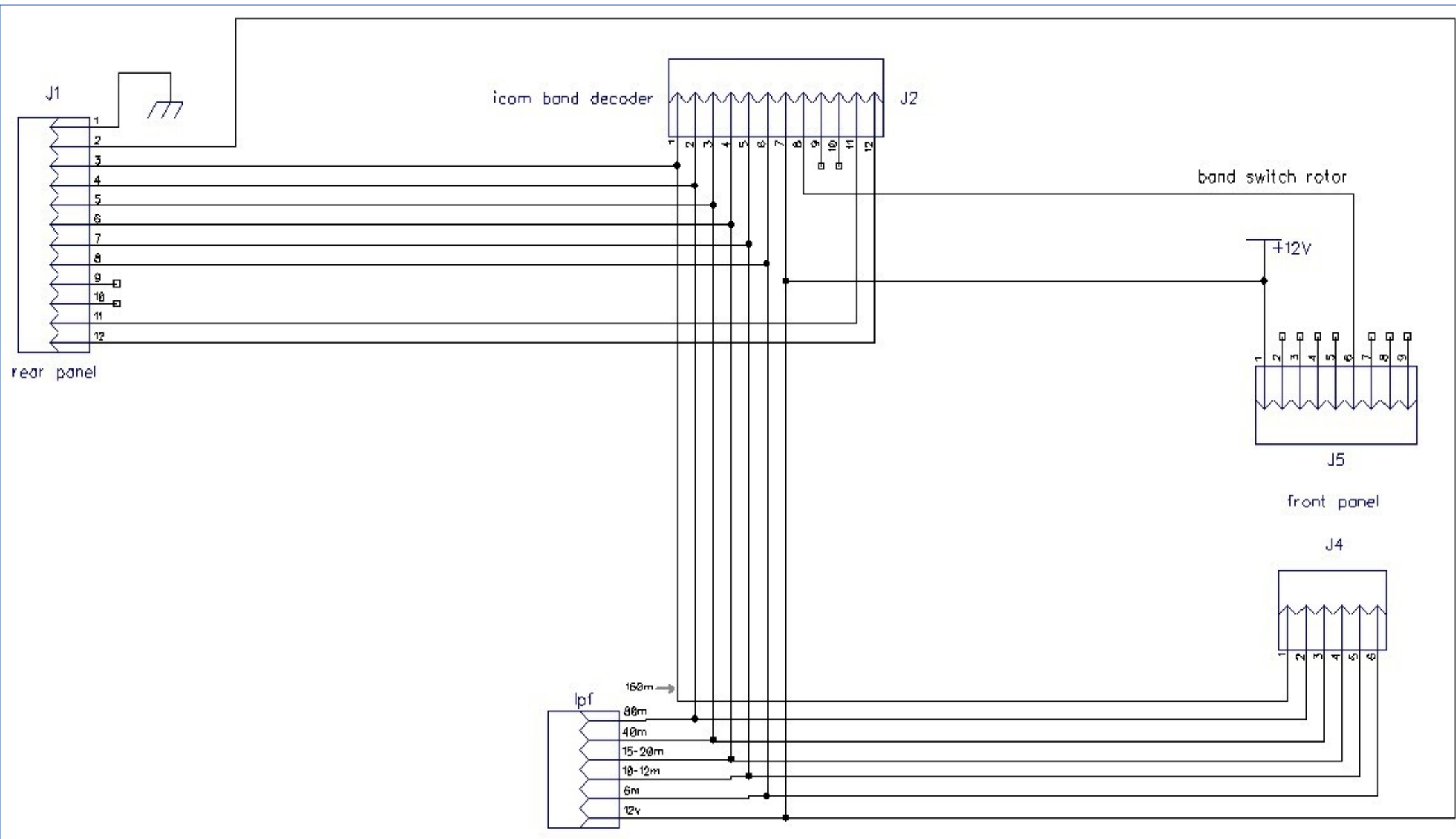
12/2018 revision

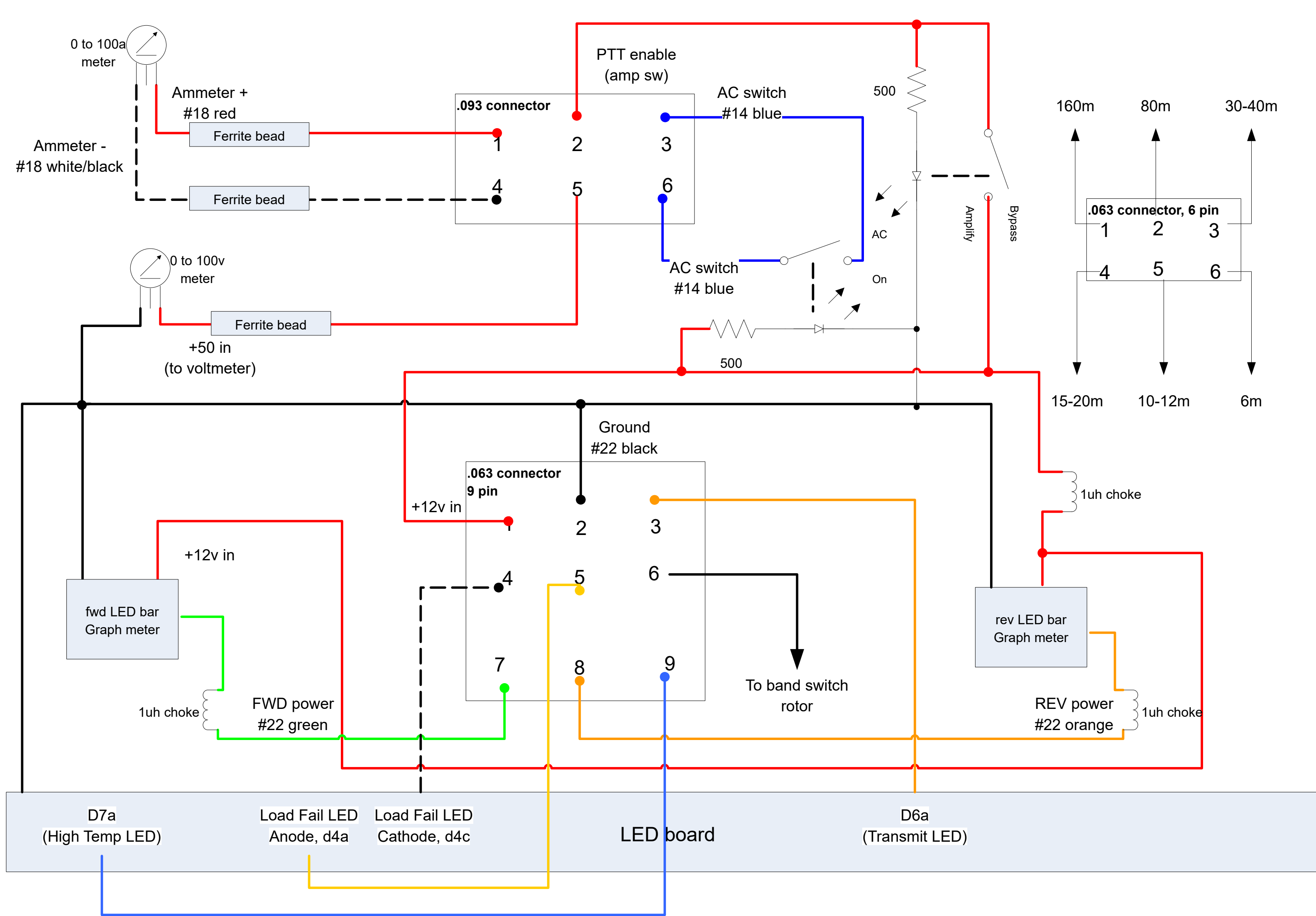
sample port (puresignal) attenuator



Band switch and rear panel interface connections







Main Power
connector

