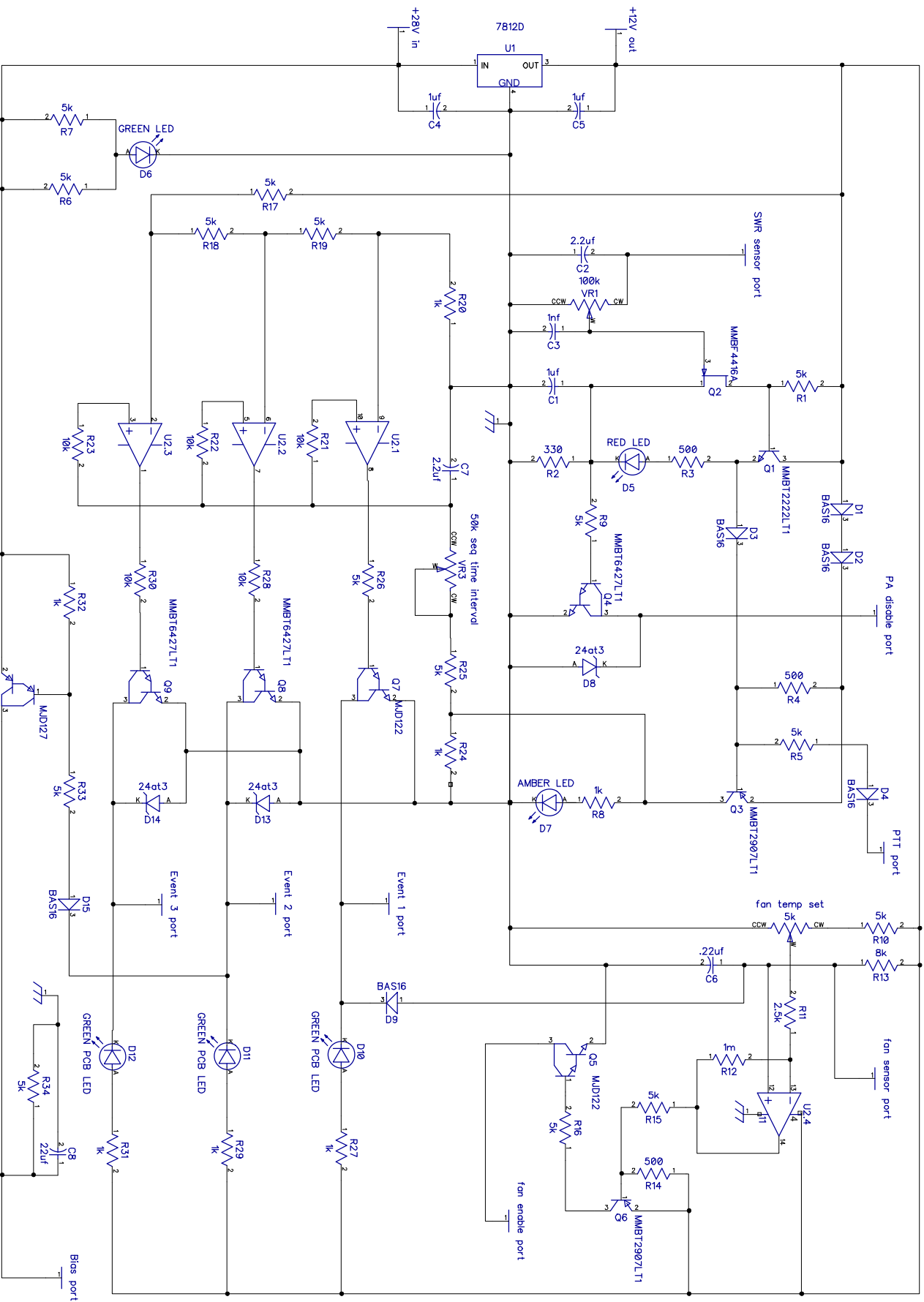


Multifunction Amplifier Control Board (v4)

High VSWR cut-off latch and kill switch

PTT switch

Fan Switch



Sequencer

Bias switch

W6PQL - 5/2009