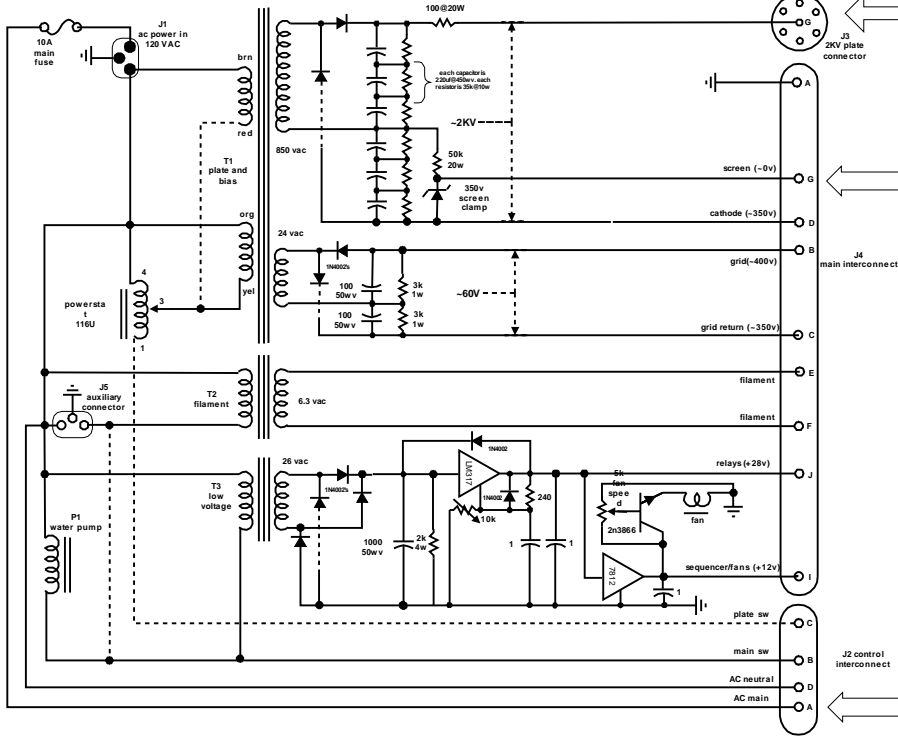


Chassis 1 - power supply



Chassis 2 - RF deck

